

As at 30 Jun 2021

## DESCRIPTION

Aircraft Model	A330-243
Aircraft Registration	LV-UTN
Engine Type	Trent 772B-60
State of Registration	ARGENTINA
Date of Manufacture	12 Jan 2012
Aircraft Age	9 Years 6 Months
Operator	AirCondor
ETOPS Provision	Yes
Winglets	Yes



## GENERAL INFORMATION

Cabin Configuration:	30C / 222Y	Cockpit Configuration	LCD
Seat Manufacturer:	Weber Aircraft LP.	Approach / Landing Category	CAT II
Cabin Attendant Seats	10 standard, 1 comfort	Noise Compliance	FAR 36 Amendment
Flight Deck Observers	2	Regulatory Standard	FAA
Galleys	6	ETOPS Configuration	180 mins
Catering Standard	Atlas	Lavatories	7
Entertainment	Yes - eX2 Panasonic seat mounted		

## WEIGHTS & CAPACITY

	Operational		Purchased	
	lbs	kgs	lbs	kgs
Max Take Off Weight	513,679 lbs	233,000 kgs	513,679 lbs	233,000 kgs
Max Landing Weight	401,243 lbs	182,000 kgs	401,243 lbs	182,000 kgs
Max Zero Fuel Weight	374,787 lbs	170,000 kgs	374,787 lbs	170,000 kgs
Operating Empty Weight	269,490 lbs	122,238 kgs	Notes:	
Standard Fuel Capacity	36,744 USG	139,090 Litres	WV 52	
Auxiliary Fuel Capacity	N/A USG	N/A Litres		

## AIRFRAME MAINTENANCE STATUS

Total Hours	35,655
Total Cycles	8,353

Airframe Comments

Check Name	Interval	Last FH and FC	Last Date	Next FH and FC	Next Date	Remaining
12Y	144 Months	N/A	N/A	N/A	12 Jan 2024	N/A
6Y	72 Months	21,623 FH 5,055 FC	22 Feb 2017	N/A	22 Feb 2023	N/A

## MODIFICATION STATUS

Modification	Installed	Model
ADS-B In	Yes	
ADS-C	Yes	
ADS-B Out	Yes	
FANS-A	Yes	
PBN	Yes	
RNP	Yes	
SATCOM	Yes	
GNSS-SA Aware	Yes	
SS CVR ULB 90	Yes	
SS FDR ULB 90	Yes	
FTIS (NGS)	Yes	
ACT	Yes	
CDSS	Yes	
HF Radio	Yes	
In Seat Power	Yes	
Winglets	Yes	
8.33KHz Spacing	Yes	
FM Immunity	Yes	
Reinforced Cockpit Door	Yes	
ELT	Yes	
Cargo Fire Suppression	Yes	
EGPWS	Yes	
Enhanced Mode S	Yes	
TCAS	Yes	
RVSM	Yes	
Cargo Loading System	Yes	

## EQUIPMENT INSTALLED

Description	Qty	Manufacturer	Model/PN
ATSU /ACARS	1	AIRBUS FRANCE	LA2TG20705C070
CIDS Director	1	AIRBUS OPERATIONS	Z013H000151A
COCKPIT VOICE RECORDER	2	Honeywell	980-6032-020
HF TRANSCIEVER	2	Rockwell Collins	822-0990-003
SELCAL	1	TEAM	BC2065C
VHF (8.33, FM, DL capable)	3	Honeywell	064-50000-2051
ELT Fixed	2	Honeywell	1152682-3
ELT Portable	1	Honeywell	1153426-1M366
Escape Slides	252	BF Goodrich	7A1509-125
Flotation Devices	6	Eastern Aero Marine	P01074-205
Rafts	2	BF Goodrich	7A1508-125
			7A1539-125
			7A1539-12
FDIMU/ DFDAU	1	Teledyne Controls	2234340-02-02
FDR	1	Honeywell	980-4750-001
Flight Deck printer	1	THALES	K282AAM0305
FLIGHT WARNING COMPUTER	2	AIRBUS FRANCE	LA2E20202T70000
SDAC	2	AIRBUS FRANCE	LA2E50700C90000
Brakes (Carbon)	2	GOODRICH	2-1577-9
Main Wheels	8	GOODRICH	3-1546
Nose Wheels	8	GOODRICH	3-1596
ADF	2	Honeywell	066-50014-0202
ADIRU	3	Honeywell	HG2030BE03
ATC Transponder	2	Rockwell Collins	822-1338-225
ATC/TCAS Control Panel	1	GABLES ENGINEERING	G6990-40
DMC	3	THALES	1982660116
DME	1	Honeywell	066-50013-0202
ECAM Control Panel	2	AIRBUS FRANCE	LA2E90808HM0100
EGPWC	3	Honeywell	965-1676-003

**DS LEASING NEITHER WARRANTS NOR IN ANY WAY REPRESENTS THIS TO BE A COMPLETE OR ACCURATE DEFINITION OF OR SPECIFICATIONS FOR THE AIRCRAFT. CHANGES OR MODIFICATIONS MAY HAVE BEEN MADE TO THE AIRCRAFT FROM TIME TO TIME. IT IS EXPECTED THAT INTERESTED INVESTORS, BUYERS, OR LESSEES WILL CONDUCT AN INDEPENDENT PHYSICAL INSPECTION OF THE AIRCRAFT AND ASSOCIATED RECORDS AND DOCUMENTATION.**

# TECHNICAL SPECIFICATION

MSN: 9999

A330-243 (Trent 772B-60)

FCU	1	THALES	C12849AB03
FMGC	1	Honeywell	C13200HA07
MCDU	1	Honeywell	4089740-961
MMR (ILS + GPS)	2	Rockwell Collins	822-1821-430
Radio Altimeter	2	Honeywell	066-50007-0232
TCAS 7.1	2	Honeywell	940-0351-005
VOR/Marker Beacon Receiver	2	Honeywell	066-50012-0212
Weather Radar Transceiver	2	Rockwell Collins	822-1710-214

**DS LEASING NEITHER WARRANTS NOR IN ANY WAY REPRESENTS THIS TO BE A COMPLETE OR ACCURATE DEFINITION OF OR SPECIFICATIONS FOR THE AIRCRAFT. CHANGES OR MODIFICATIONS MAY HAVE BEEN MADE TO THE AIRCRAFT FROM TIME TO TIME. IT IS EXPECTED THAT INTERESTED INVESTORS, BUYERS, OR LESSEES WILL CONDUCT AN INDEPENDENT PHYSICAL INSPECTION OF THE AIRCRAFT AND ASSOCIATED RECORDS AND DOCUMENTATION.**

# TECHNICAL SPECIFICATION

MSN: 9999

A330-243 (Trent 772B-60)

## Engine 1

---

Engine Manufacturer	Rolls-Royce	TSN	32,365
Engine Model	Trent 772B-60	CSN	7,488
Engine Serial Number	418	LLP Limiter Cycles Remaining	4,344
Date of Manufacture	12 Jan 2012	Status As Of	30 Jun 2021
Engine Notes		Current Power Rating	Trent 772B-60

### LAST SHOP VISIT

Date of Last Shop Visit	05 Jul 2018	Maintenance Facility	Rolls Royce
Total FH at Shop Visit	24,944	FH Since Last Shop Visit	7,422
Total FC at Shop Visit	5,831	FC Since Last Shop Visit	1,657
Reason for Last Shop Visit	Performance Restoration		

### LLP STATUS

Module	Description	Part Number	Cycles Limit	Cycles Used	Cycles Remaining
LPC Rotor	LPC Rotor Disk	FW16259	13,010	7,487	5,523
LPC Rotor	LPC Rotor Shaft	FK21980	15,000	7,487	7,513
IPC Rotor	IPC Rotor Shaft	FK26048	12,600	7,487	5,113
IPC Rotor	IP Rear Shaft	FW18545	15,000	7,487	7,513
HPC Rotor	HPC Rotor Shaft	FW71779	6,000	1,656	4,344
HPT Rotor	HPT Rotor Disk	FK26893	9,000	1,656	7,344
IPT Rotor	IPT Rotor Disk	FK20795	15,000	7,487	7,513
IPT Rotor	IPT Rotor Shaft	FW12356	15,000	1,656	13,344
LPT Rotor	LPT Shaft	FK21826	15,000	7,487	7,513
LPT Rotor	LPT Stage 1 Rotor Disk	FK18815	15,000	7,487	7,513
LPT Rotor	LPT Stage 2 Rotor Disk	FK18816	15,000	7,487	7,513
LPT Rotor	LPT Stage 3 Rotor Disk	FK18817	15,000	7,487	7,513

**DS LEASING NEITHER WARRANTS NOR IN ANY WAY REPRESENTS THIS TO BE A COMPLETE OR ACCURATE DEFINITION OF OR SPECIFICATIONS FOR THE AIRCRAFT. CHANGES OR MODIFICATIONS MAY HAVE BEEN MADE TO THE AIRCRAFT FROM TIME TO TIME. IT IS EXPECTED THAT INTERESTED INVESTORS, BUYERS, OR LESSEES WILL CONDUCT AN INDEPENDENT PHYSICAL INSPECTION OF THE AIRCRAFT AND ASSOCIATED RECORDS AND DOCUMENTATION.**

# TECHNICAL SPECIFICATION

MSN: 9999

A330-243 (Trent 772B-60)

## ENGINE 2

---

Engine Manufacturer	Rolls-Royce	TSN	32,076
Engine Model	Trent 772B-60	CSN	7,464
Engine Serial Number	419	LLP Limiter Cycles Remaining	4,514
Date of Manufacture	12 Jan 2012	Status As Of	30 Jun 2021
Engine Notes		Current Power Rating	Trent 772B-60

## LAST SHOP VISIT

Date of Last Shop Visit	16 Aug 2018	Maintenance Facility	Rolls Royce
Total FH at Shop Visit	25,561	FH Since Last Shop Visit	6,515
Total FC at Shop Visit	5,978	FC Since Last Shop Visit	1,486
Reason for Last Shop Visit	Performance Restoration		

## LLP STATUS

Module	Description	Part Number	Cycles Limit	Cycles Used	Cycles Remaining
LPC Rotor	LPC Rotor Disk	FW16259	13,010	7,464	5,546
LPC Rotor	LPC Rotor Shaft	FK21980	15,000	7,464	7,536
IPC Rotor	IPC Rotor Shaft	FK26048	12,600	7,464	5,136
IPC Rotor	IP Rear Shaft	FW18545	15,000	7,464	7,536
HPC Rotor	HPC Rotor Shaft	FW71779	6,000	1,486	4,514
HPT Rotor	HPT Rotor Disk	FK26893	9,000	1,486	7,514
IPT Rotor	IPT Rotor Disk	FK20795	15,000	1,486	13,514
IPT Rotor	IPT Rotor Shaft	FW12356	15,000	7,464	7,536
LPT Rotor	LPT Shaft	FK21826	15,000	7,464	7,536
LPT Rotor	LPT Stage 1 Rotor Disk	FK18815	15,000	7,464	7,536
LPT Rotor	LPT Stage 2 Rotor Disk	FK18816	15,000	7,464	7,536
LPT Rotor	LPT Stage 3 Rotor Disk	FK18817	15,000	7,464	7,536
LPT Rotor	LPT Stage 4 Rotor Disk	FK24028	15,000	7,464	7,536

**DS LEASING NEITHER WARRANTS NOR IN ANY WAY REPRESENTS THIS TO BE A COMPLETE OR ACCURATE DEFINITION OF OR SPECIFICATIONS FOR THE AIRCRAFT. CHANGES OR MODIFICATIONS MAY HAVE BEEN MADE TO THE AIRCRAFT FROM TIME TO TIME. IT IS EXPECTED THAT INTERESTED INVESTORS, BUYERS, OR LESSEES WILL CONDUCT AN INDEPENDENT PHYSICAL INSPECTION OF THE AIRCRAFT AND ASSOCIATED RECORDS AND DOCUMENTATION.**

# TECHNICAL SPECIFICATION

MSN: 9999

A330-243 (Trent 772B-60)

## LANDING GEAR

---

Manufacturer	Messier Dowty		
Position	Nose Gear	LH Wing Gear	RH Wing Gear
Serial Number	11B16515	11MDG1379	11MDG1380
Total Time Since New	35,655	35,655	35,655
Total Cycles Since New	8,353	8,353	8,353
Time Since Overhaul	N/A	N/A	N/A
Last Overhaul Date	Not Performed	Not Performed	Not Performed
Cycles Since Overhaul	N/A	N/A	N/A
Overhaul Interval	20,000 FC or 120 Months	20,000 FC or 120 Months	20,000 FC or 120 Months
Cycles Remaining	11,647	11,647	11,647
As of Date	30 Jun 2021	30 Jun 2021	30 Jun 2021

Brake Vendor

Wheel Vendor

## APU

---

Manufacturer	Honeywell	Total APU FH	13,944
Model Number	GTCP331-350C	Total APU FC	13,652
Serial Number	P-1364	Status As Of	30 Jun 2021

## LAST SHOP VISIT

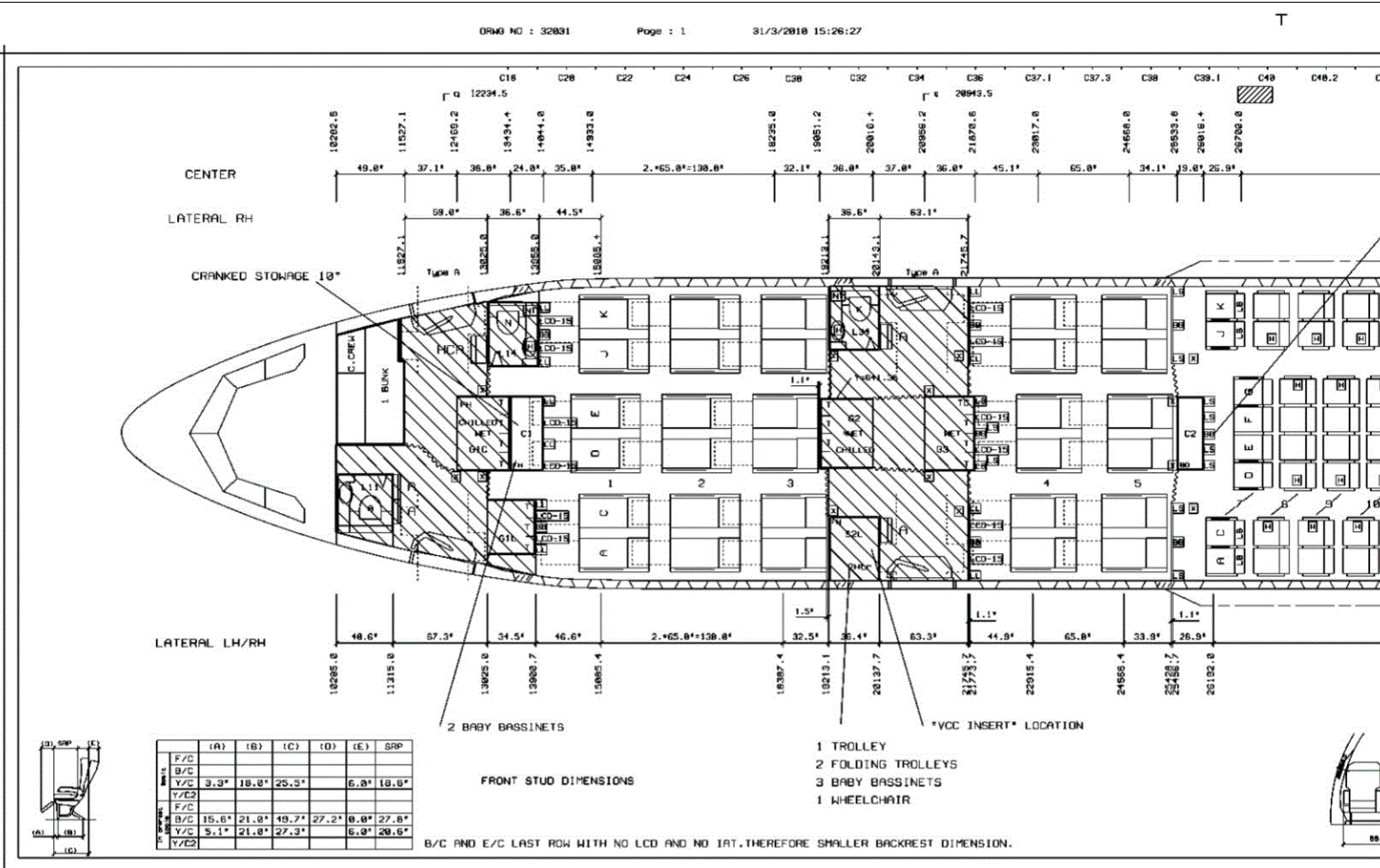
Date of Last Shop Visit	28 Mar 2019	APU FH Since Last Shop Visit	1,966
Total APU FH at Shop Visit	11,978	APU FC Since Last Shop Visit	1,866
Total APU FC at Shop Visit	11,786		

**DS LEASING NEITHER WARRANTS NOR IN ANY WAY REPRESENTS THIS TO BE A COMPLETE OR ACCURATE DEFINITION OF OR SPECIFICATIONS FOR THE AIRCRAFT. CHANGES OR MODIFICATIONS MAY HAVE BEEN MADE TO THE AIRCRAFT FROM TIME TO TIME. IT IS EXPECTED THAT INTERESTED INVESTORS, BUYERS, OR LESSEES WILL CONDUCT AN INDEPENDENT PHYSICAL INSPECTION OF THE AIRCRAFT AND ASSOCIATED RECORDS AND DOCUMENTATION.**

# TECHNICAL SPECIFICATION

MSN: 9999  
A330-243 (Trent 772B-60)

LOPA

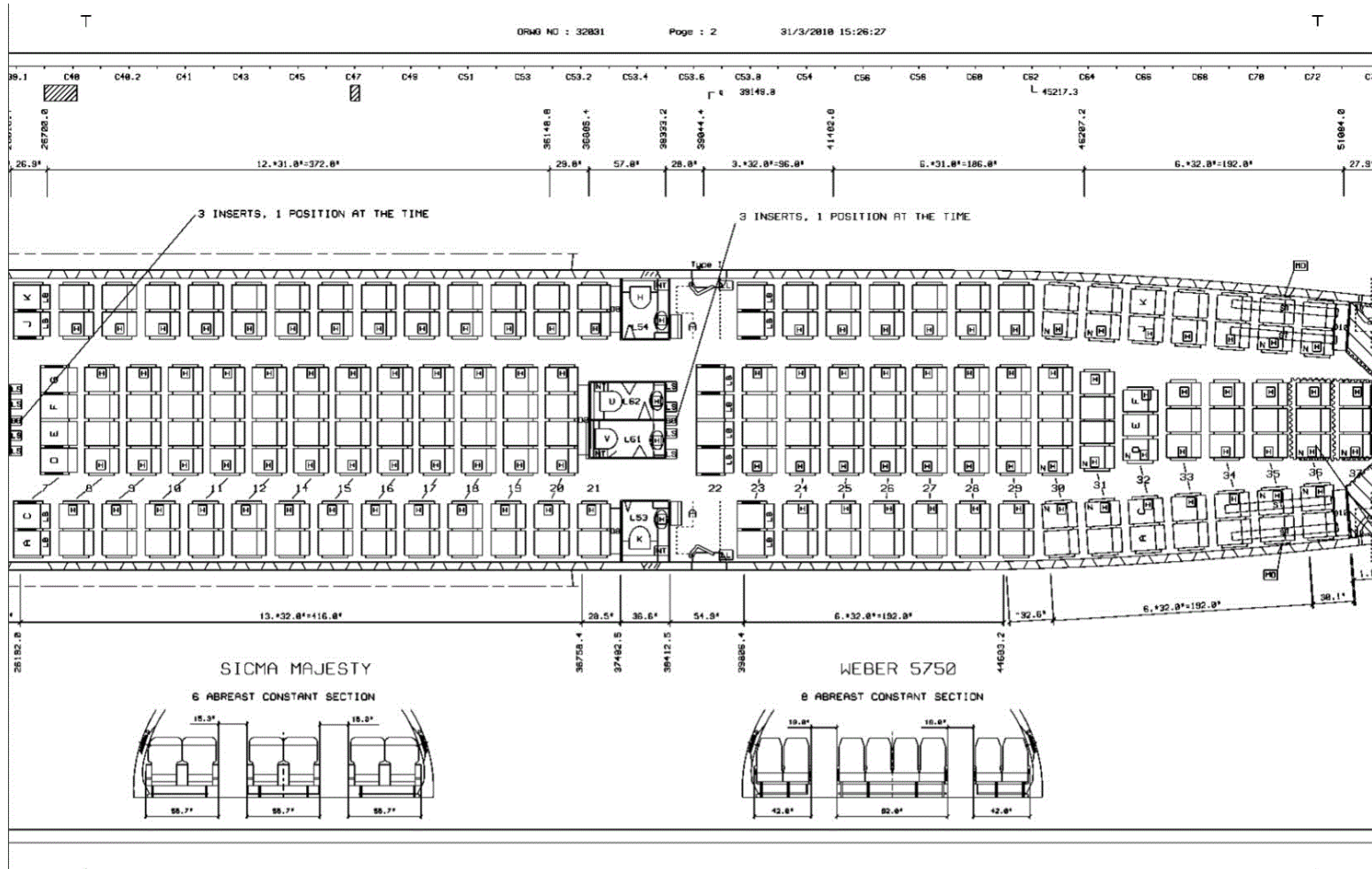


NO WARRANTY IS MADE OR IMPLIED AS TO THE ACCURACY OR COMPLETENESS OF THE INFORMATION HEREIN.  
SUCH INFORMATION IS SUBJECT TO CHANGE AND TO VERIFICATION UPON INSPECTION OF THE AIRCRAFT/RECORDS.

# TECHNICAL SPECIFICATION

MSN: 9999

A330-243 (Trent 772B-60)



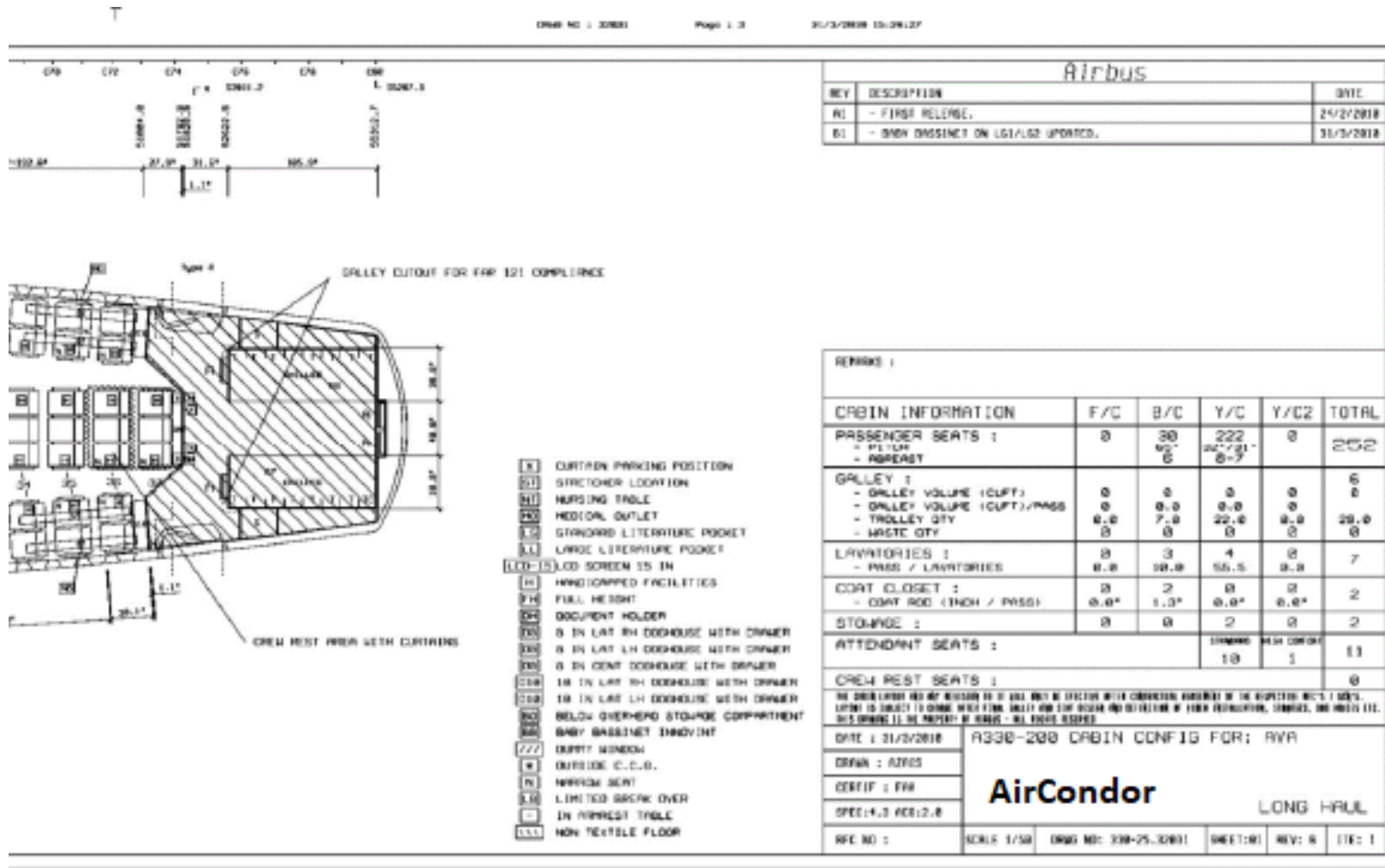
DS LEASING NEITHER WARRANTS NOR IN ANY WAY REPRESENTS THIS TO BE A COMPLETE OR ACCURATE DEFINITION OF OR SPECIFICATIONS FOR THE AIRCRAFT. CHANGES OR MODIFICATIONS MAY HAVE BEEN MADE TO THE AIRCRAFT FROM TIME TO TIME. IT IS EXPECTED THAT INTERESTED INVESTORS, BUYERS, OR LESSEES WILL CONDUCT AN INDEPENDENT PHYSICAL INSPECTION OF THE AIRCRAFT AND ASSOCIATED RECORDS AND DOCUMENTATION.



# TECHNICAL SPECIFICATION

MSN: 9999

A330-243 (Trent 772B-60)



DS LEASING NEITHER WARRANTS NOR IN ANY WAY REPRESENTS THIS TO BE A COMPLETE OR ACCURATE DEFINITION OF OR SPECIFICATIONS FOR THE AIRCRAFT. CHANGES OR MODIFICATIONS MAY HAVE BEEN MADE TO THE AIRCRAFT FROM TIME TO TIME. IT IS EXPECTED THAT INTERESTED INVESTORS, BUYERS, OR LESSEES WILL CONDUCT AN INDEPENDENT PHYSICAL INSPECTION OF THE AIRCRAFT AND ASSOCIATED RECORDS AND DOCUMENTATION.